

POWER GEAR LEVELING SYSTEM JACK IDENTIFICATION

1. Visually match the jack to the pictures on the chart. Use visual cues (number of mounting holes, type of footpad, etc.) to identify.
2. Once you have found a visual match, take the required measurements as shown for that jack assembly. **A fraction to decimal conversion chart is below for your reference.**
3. If you know what name (Power Gear, Kwikiee, or Dewald) is on the touch pad for the leveling system, this can help you narrow down what type of jack you have.

| Fraction | Decimal |
|----------|---------|
| 1/16 | .0625 |
| 1/8 | .125 |
| 3/16 | .187 |
| 1/4 | .25 |
| 5/16 | .312 |
| 3/8 | .375 |
| 7/16 | .437 |
| 1/2 | .50 |
| 9/16 | .562 |
| 5/8 | .625 |
| 11/16 | .687 |
| 3/4 | .75 |
| 13/16 | .812 |
| 7/8 | .875 |
| 15/16 | .9375 |

Note:

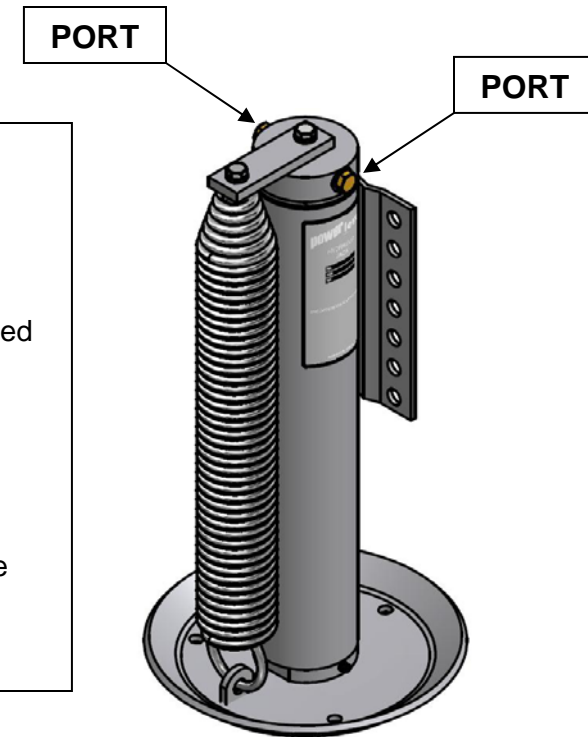
Port sizes are referenced for spring return jacks on Page 2 of this document.

There have been two different port sizes used on these jacks:

#4 port. #4 thread size is 7/16"

#6 port. #6 thread size is 9/16"

Port size is one more dimension that can be used to determine what jack assembly you have.



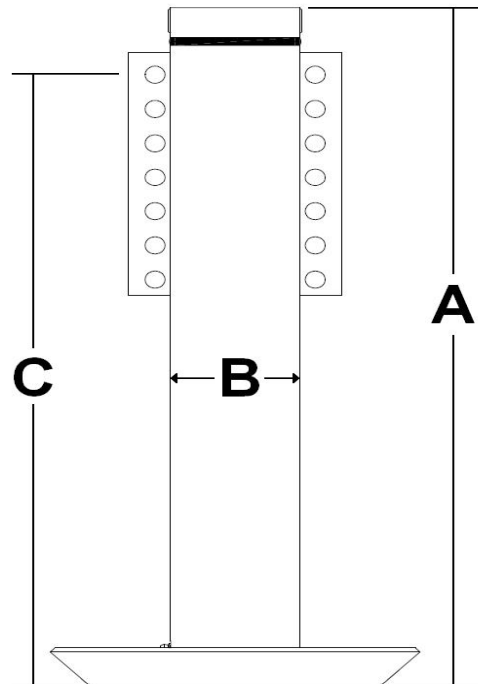
POWER GEAR JACK ASSEMBLIES

INTERNAL SPRING JACK ASSEMBLIES

| Cap. | Leveling jack # | * Jack obsolete use # | Dimensions (in inches) | | | Seal kit # | Spring # | Notes |
|------|-----------------|-----------------------|------------------------|---------|---------|------------|----------|--|
| 24K | 500386T | | A=22.37 | B=4.5 | C=20.09 | 800130S ** | N/A | |
| 24K | 500620 | | A=22.375 | B=4.5 | C=22.37 | 800130S ** | N/A | has mounting pad width of 7.25 |
| 16K | 501136 | | A=22.37 | B=4.0 | C=13.25 | 800131S ** | N/A | 4 bolt mounting pattern |
| 16K | 501137 | | A=22.37 | B=4.0 | C=18.94 | 800131S ** | N/A | 4 bolt mounting pattern |
| 24K | 500386 * | 500386T | A=22.37 | B=4.5 | C=20.09 | 800130S ** | N/A | |
| 16k | 501298 | | A=22.37 | B=4.0 | C=13.25 | 800131S ** | N/A | 4 bolt mounting pattern/has 8" Shoe instead of the typical 10' |
| 16k | 501299 | | A=22.37 | B=4.0 | C=18.94 | 800131S ** | N/A | 4 bolt mounting pattern/has 8" Shoe instead of the typical 10' |
| 12K | 500385TH | | A=22.3 | B=3.63 | C=20.11 | 800137S ** | N/A | |
| 12K | 500385 * | 500385TH | A=22.25 | B=3.625 | C=20.11 | 800137S ** | N/A | |
| 16K | 500070 * | 500070TH | A=22.25 | B=4.0 | C=21.42 | 800131S ** | N/A | |
| 16K | 500070TH | | A=22.37 | B=4.0 | C=20.09 | 800131S ** | N/A | |
| 16K | 500145 | | A=22.25 | B=4.0 | C=21.42 | 800131S ** | N/A | |

N/A (Not Available) - Internal springs are not a service item

Measurements A and C are taken with jack completely retracted



Spring return jacks will only have one hydraulic hose attached to one of the two ports on top of jack



** Information regarding seal kit replacement can be found in the seal kit manual number 82-L0353



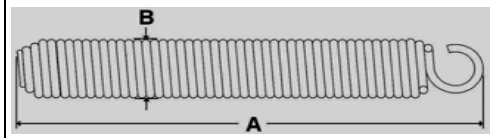
EXTERNAL SPRING JACK ASSEMBLIES

| Cap. | Leveling jack # | *Jack obsolete use # | Dimensions (in inches) | | | | Port Size | Seal kit # | Spring # | Notes |
|------|-----------------|----------------------|------------------------|---------|---------|---------|-----------|------------|----------|---|
| 6K | 500384* | 501022 | A=21.25 | B=2.625 | C=17.61 | D=19.08 | #6 | No Kit | 500590 | 501022 kit contains qty 1 500384HR jack and qty 2 hose adapter fittings |
| 6K | 500384H* | 501022 | A=21.25 | B=2.625 | C=17.61 | D=19.08 | #6 | 800132S ** | 500590 | 501022 kit contains qty 1 500384HR jack and qty 2 hose adapter fittings |
| 6K | 500598* | 501022 | A=21.25 | B=2.625 | C=18.17 | D=19.08 | #6 | No Kit | 500590 | 501022 kit contains qty 1 500384HR jack and qty 2 hose adapter fittings |
| 6K | 500384HR | | A=20.85 | B=2.625 | C=17.61 | D=19.59 | #4 | 800132S ** | 500590 | |
| 9K | 500082* | 500146 | A=20.75 | B=3.25 | C=17.38 | D=18.71 | #6 | 800129S ** | 500094 | 500146 kit contains qty 1 500082HR jack and qty 2 hose adapter fitting |
| 9K | 500082H* | | A=20.75 | B=3.25 | C=17.38 | D=18.71 | #6 | 800129S ** | 500094 | |
| 9K | 500082HR | | A=20.75 | B=3.25 | C=17.38 | D=19.21 | #4 | 800129S ** | 500094 | |
| 9K | 500146 | | A=20.75 | B=3.25 | C=17.38 | D=19.21 | #4 | 800129S ** | 500094 | 500146 kit contains qty 1 500082HR jack and qty 2 hose adapter fitting |
| 9K | 500272* | obsolete | A=20.75 | B=3.25 | C=17.82 | D=18.83 | #6 | 800129S ** | 500094 | |
| 9K | 500759 | | A=20.40 | B=2.6 | C=17.6 | D=19.08 | #4 | 800138S ** | 500094 | |
| 12K | 501315 | | A=20.33 | B=3.25 | C=17.19 | D=19.33 | #6 | 800199S ** | 500094 | |
| 12K | 500800 | | A=19.2 | B=3.25 | C=16.75 | D=19.21 | #4 | 800199S ** | 500094 | |
| 9K | 500235* | 500235H | A=18.25 | B=3.25 | C=17.38 | D=15.83 | #6 | 800129S ** | 500252 | |
| 9K | 500235H | | A=18.19 | B=3.25 | C=17.38 | D=15.83 | #6 | 800129S ** | 500252 | |
| 6K | 500600* | 500482H | A=18.0 | B=2.625 | C=15.63 | D=14.73 | #6 | No Kit | 500591 | Flat shoe |
| 6K | 500482* | 500482H | A=18.0 | B=2.625 | C=15.38 | D=14.73 | #6 | No Kit | 500591 | |
| 6K | 500482H | | A=18.0 | B=2.625 | C=15.38 | D=14.73 | #6 | 800132S ** | 500591 | |
| 9K | 500498 | 500498H | A=17.75 | B=3.25 | C=15.0 | D=15.83 | #6 | 800129S ** | 500252 | |
| 9K | 500498H | | A=17.75 | B=3.25 | C=15.0 | D=15.83 | #6 | 800129S ** | 500252 | |

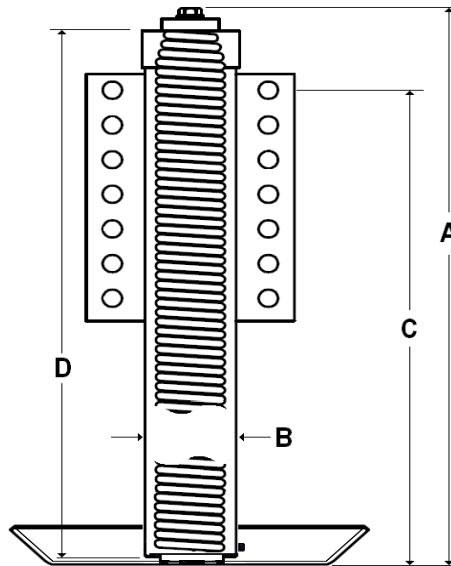
SPRING REPLACEMENT KITS

| Spring kit # | Meas. of Spring |
|--------------|-------------------|
| 500094 | A=17" x B=2.5" |
| 500252 | A=14.55" x B=2.5" |
| 500590 | A=17" x B=2.3" |
| 500591 | A=14.55" x B=2.3" |

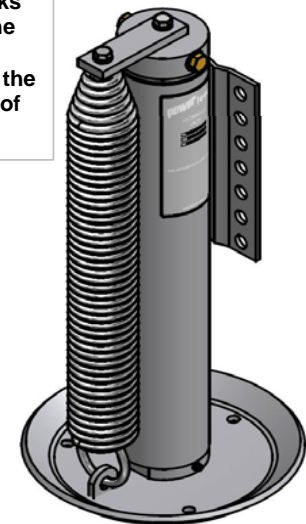
A is overall length and B is outer diameter



Measurements A and C are taken with jack completely retracted



Spring return jacks will only have one hydraulic hose attached to one of the two ports on top of jack



** Information regarding seal kit replacement can be found in the seal kit manual number 82-L0353

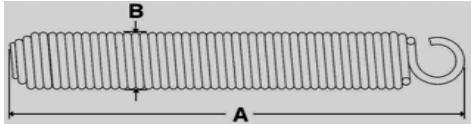


POWER LEVEL (EXTERNAL SPRING) JACK ASSEMBLIES

| Cap. | Leveling jack # | *Jack obsolete use # | Dimensions (in inches) | | | | | Seal kit # | Spring # | Notes |
|------|-----------------|----------------------|------------------------|---------|---------|---------|--------|---------------|----------|-----------------------------|
| 9K | 500932 | | A=25.3 | B=2.6 | C=24.4 | D=14.3 | E=5.0 | 800138S ** | 500094 | |
| 12K | 501005 | | A=24.26 | B=3.25 | C=23.26 | D=16.0 | E=5.0 | 800199S ** | 500094 | |
| 9K | 501004* | | A=24.25 | B=2.625 | C=23.25 | D=16.0 | E=3.4 | 800138S ** | 500094 | No replacement is available |
| 6K | 500832 | | A=23.25 | B=2.25 | C=22.3 | D=8.0 | E=5.0 | 800133S ** | 500591 | |
| 9K | 500833 | | A=23.15 | B=2.6 | C=22.2 | D=14.3 | E=3.0 | 800138S ** | 500094 | |
| 12K | 501106 | | A=22.20 | B=3.25 | C=21.70 | D=14.31 | E=3.0 | Not Available | 500094 | |
| 6K | 501173 | | A=21.44 | B=2.25 | C=16.81 | D=12.3 | E=3.2 | 800133S ** | 500591 | |
| 9K | 500843 | | A=21.15 | B=2.6 | C=20.2 | D=14.3 | E=1.0 | 800138S ** | 500094 | |
| 6K | 500842 | | A=20.4 | B=2.25 | C=19.5 | D=14.3 | E=2.5 | 800133S ** | 500591 | |
| 12K | 3510000111 | | A=20.21 | B=19.27 | C=20.26 | D=14.31 | E=1.5 | 800199S ** | 500094 | |
| 6K | 500933 | | A=19.75 | B=2.25 | C=17.75 | D=12.3 | E=1.5 | 800133S ** | 500591 | |
| 6K | 500730 | | A=19.15 | B=2.25 | C=16.0 | D=8.0 | E=1.13 | 800133S ** | 500591 | |
| 6K | 500876 | | A=18.94 | B=2.25 | C=17.0 | D=12.3 | E=.5 | 800133S ** | 500591 | |

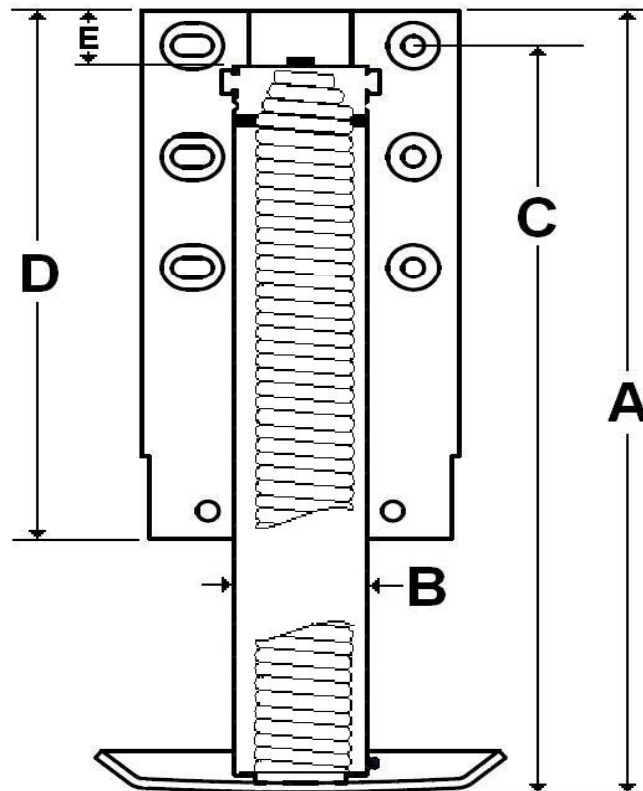
SPRING REPLACEMENT KITS

| Spring kit # | Meas. of Spring |
|--------------|-------------------|
| 500094 | A=17" x B=2.5" |
| 500252 | A=14.55" x B=2.5" |
| 500590 | A=17" x B=2.3" |
| 500591 | A=14.55" x B=2.3" |

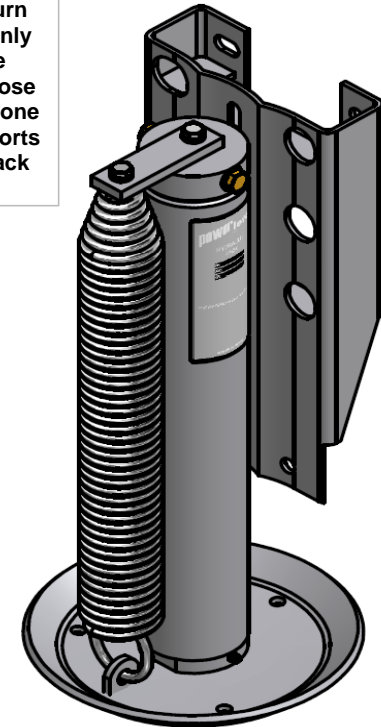


Measurements A, C, D, and E are taken with jack completely retracted

** Information regarding seal kit replacement can be found in the seal kit manual number 82-L0353



Spring return jacks will only have one hydraulic hose attached to one of the two ports on top of jack



POWER GEAR ELECTRIC LEVELING JACK ASSEMBLIES

| Cap. | Leveling jack assembly # | Description | "A" meas. | motor # (for reference only) | Motor replacement kit ** | Notes |
|------|--------------------------|---|-----------|------------------------------|--------------------------|-------------|
| 9K | 1010000051 | ELEC ASM 9K 15" STROKE | 28" | 1010001092 | 1010001019 right | Square shoe |
| 9K | 1010000140 | ELEC ASM 15 22 F SQ 8 NONE YES | 28" | 1010001092 | 1010001018 left | Square shoe |
| 12K | 1010000143 | ELEC ASM 13 22 F RD 10 NONE YES | 25.5" | 1010001093 | 1010001018 left | Round shoe |
| 12K | 1010000144 | ELEC ASM 13 22 F RD 10 NONE YES | 25.5" | 1010001093 | 1010001019 right | Round shoe |
| 9K | 501336 | ASSY LH SHRT EJ LEG | 25.4" | 501092 | 1010001019 right | National RV |
| 9K | 501337 | ASSY RH SHRT EJ LEG | 25.4" | 501092 | 1010001018 left | National RV |
| 6K | 1010000893 | LEG ELEC LV ASM 12" 20.9 F SQ 8.3 FLAT HALL INT | 24.6" | 1510000057 | 1010001018 left | Square shoe |
| 6K | 1010000892 | LEG ELEC LV ASM 12" 20.9 F SQ 8.3 FLAT HALL INT | 24.6" | 1510000056 | 1010001019 right | Square shoe |
| 9K | 501473 | ELEC ASM COMPLETE 13" STK RIGHT | 24.6" | 1010001093 | 1010001019 right | Square shoe |
| 9K | 1010000141 | ELEC ASM 13 22 F RD 10 NONE YES | 24.6" | 1010001093 | 1010001018 left | Round shoe |
| 9K | 1010000142 | ELEC LV ASM COMPLETE 13" STK RIGHT | 24.6" | 1010001092 | 1010001019 right | Round shoe |
| 6K | 1010000902 | ELEC LV ASM 12 20.9 F SQ 8.3 FLAT HALL EXT | 24.6" | 1010000155 | 1010001018 left | National RV |
| 6K | 1010000901 | ELEC LV ASM 12 20.9 F SQ 8.3 FLAT HALL EXT | 24.6" | 501092 | 1010001019 right | National RV |
| 9K | 1010000139 | ELEC LV ASM COMPLETE 13" STK LEFT | 24.5" | 1010001092 | 1010001018 left | Square shoe |

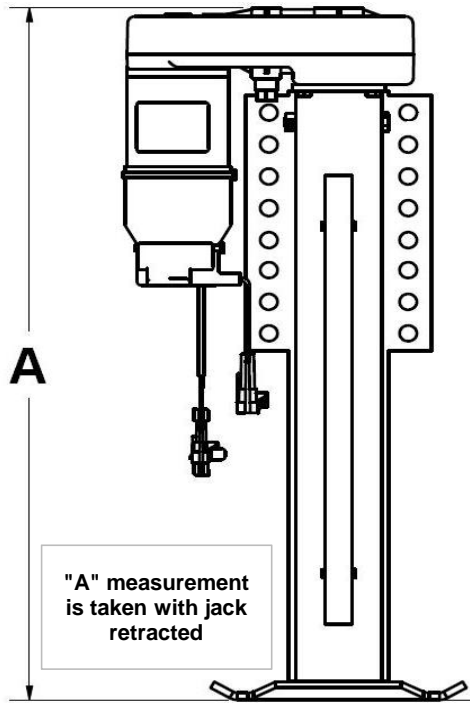


Illustration shows a typical RIGHT HAND jack assembly

| Description | part number | Item # |
|---------------------------------|-----------------|--------|
| Brake replacement kit | 1010001289 | 1 |
| Boot/band clamp replacement kit | 1010001232 | 2 |
| Shear pin replacement kit | 1010001889 | 3 |
| Hall effect sensor | 140-1244 | 4 |
| Magnet | 990-1115 | 5 |
| Motor replacement kit** | See chart above | 6 |

**Motor replacement kits RIGHT and LEFT hand assume that jack is mounted with motor facing rear of coach.

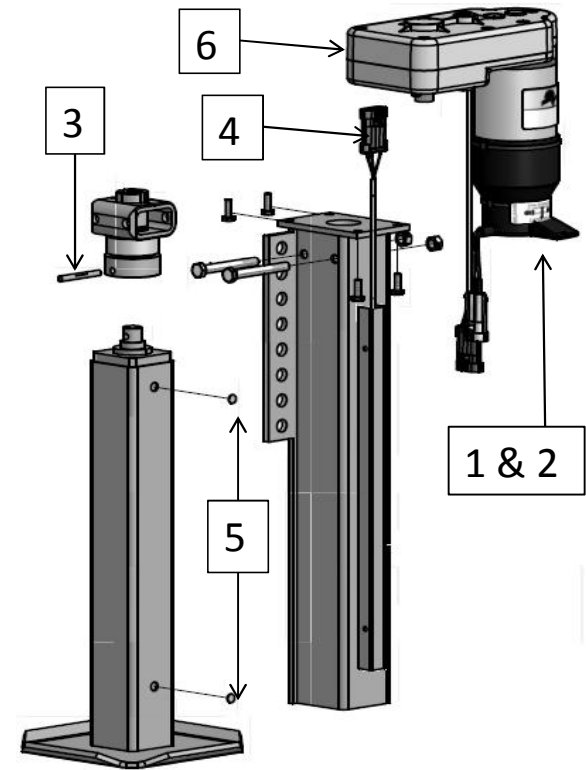
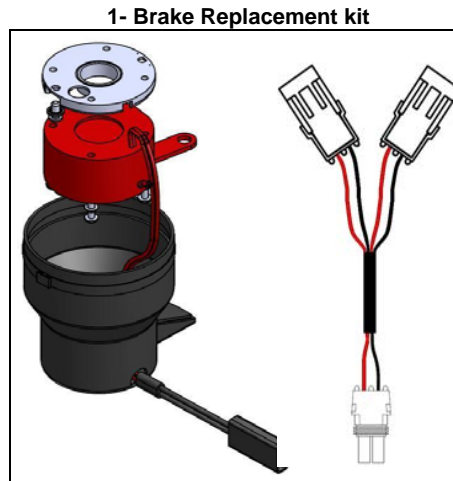


Illustration shows a typical LEFT HAND jack assembly

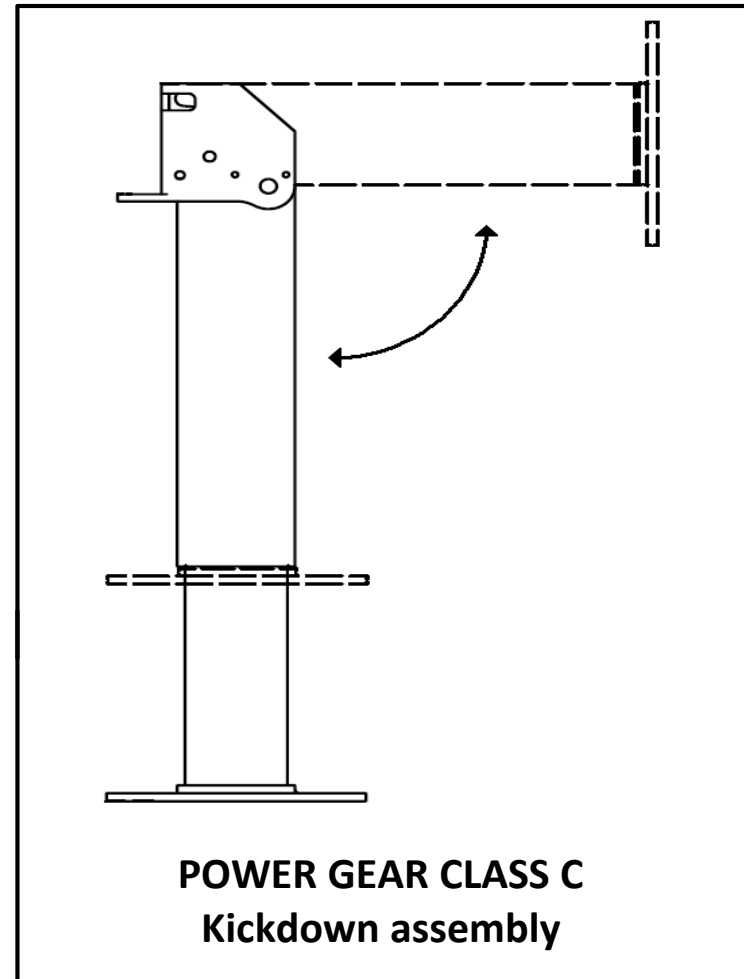


POWER GEAR CLASS C JACK ASSEMBLY KICKDOWN PU/PD

| Leveling jack assembly # | Description |
|--------------------------|---------------------------------------|
| 9010000147 | POWER GEAR CLASS C JACK ASSY KICKDOWN |

Note:

Power up/Power down (PU/PD) jacks will have two hydraulic hoses. One attached to one of the two ports on top of the cylinder and one attached to one of the two ports near the bottom of the cylinder.

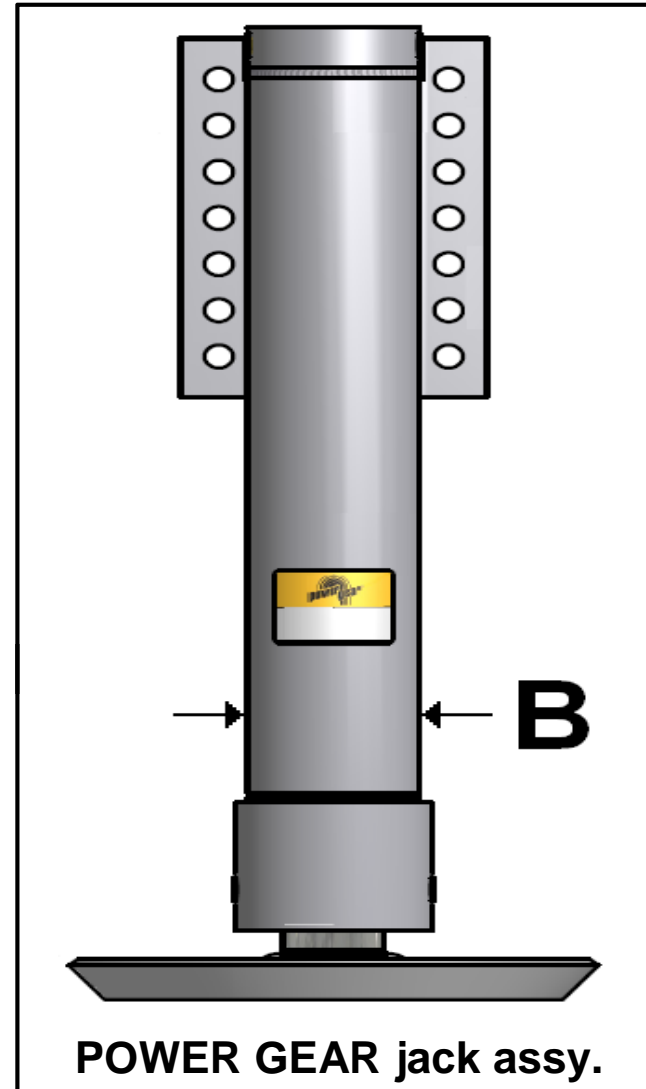


POWER GEAR JACK ASSEMBLY PU/PD

| Leveling jack assembly # | Description | B meas. |
|--------------------------|---|---------|
| 501095 | POWER GEAR JACK 3" BORE 18" STROKE ASSY | 3.38 |
| 501096 | POWER GEAR JACK 3.5" BORE 18" STROKE ASSY | 3.87 |

Note:

Power up/Power down (PU/PD) jacks will have two hydraulic hoses. One attached to one of the two ports on top of the cylinder and one attached to one of the two ports near the bottom of the cylinder.

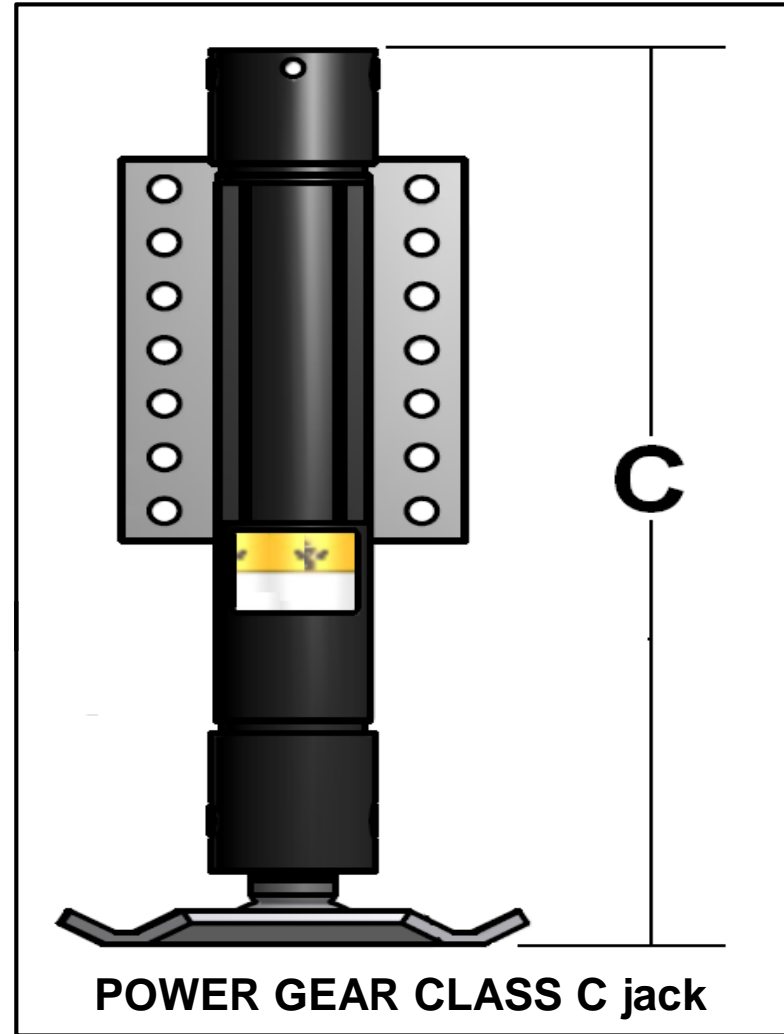


POWER GEAR CLASS C JACK ASSEMBLY PU/PD

| Leveling jack assembly # | Description | C meas. |
|--------------------------|---|---------|
| 501303 | POWER GEAR CLASS C JACK ASSY ALUM 14" STK | 18.76 |
| 501304 | POWER GEAR CLASS C JACK ASSY ALUM 11" STK | 15.75 |

Note:

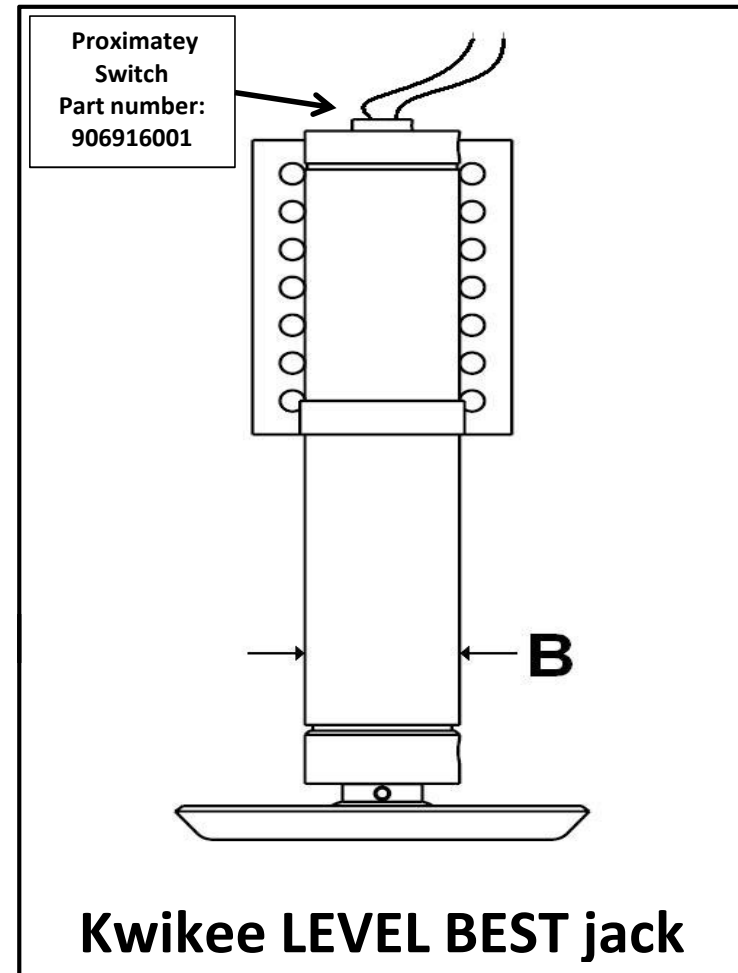
Power up/Power down (PU/PD) jacks will have two hydraulic hoses. One attached to one of the two ports on top of the cylinder and one attached to one of the two ports near the bottom of the cylinder.



KWIKEE LEVEL BEST JACK ASSEMBLY PU/PD

| Leveling jack assembly # | Description | B meas. |
|--------------------------|---|---------|
| 3700710 | LEVEL BEST ASSY JACK 15" STRT 17K ATLAS | 3.87 |
| 3700700 | LEVEL BEST ASSY JACK 15" STRT 10K ATLAS | 3.38 |

Note:
 Power up/Power down (PU/PD) jacks will have two hydraulic hoses. One attached to one of the two ports on top of the cylinder and one attached to one of the two ports near the bottom of the cylinder.



DEWALD JACK ASSEMBLY PU/PD

| Leveling jack assembly # | Description | A meas. |
|--------------------------|-------------------------------|---------|
| DN12581 | DEWALD CYL LEV ASSY 2.5" BORE | 14.74 |
| DN12989 | DEWALD CYL LEV ASSY 3.0" BORE | 17.00 |

Note:

Power up/Power down (PU/PD) jacks will have two hydraulic hoses. One attached to one of the two ports on top of the cylinder and one attached to one of the two ports near the bottom of the cylinder.

